

INSB05IRCF

5MP HD over Coax Fixed Bullet

- 2.8 mm Fixed lens; Max 25 fps at 5MP (16:9 video output)
- CVI / CVBS / AHD / TVI switchable
- Max. IR length 30m, Smart IR
- IP67, DC12V

Unify your Security Solution

The HD over Coax technology can support up to 4 signals transmitted over coaxial cable. With the dual-way data transmission the HD over Coax camera can interact with the STORM DVR by alarm triggers or control signals.

Long Distance Transmission

Long-distance and real-time transmission without any loss. It supports up to 700m for 1080P Full HD video via coaxial cable, and up to 300m via UTP cable.

Smart IR

The camera is designed with IR LED illumination for best lowlight performance. Smart IR is a technology to ensure brightness uniformity in B/W image under low illumination.

HD over Coax



*Design and specifications are subjects to change without notice.



INSB05IRCF

5MP HD over Coax Fixed Bullet

Product Specifications

| Camera | | | | | |
|--------------------------|---|----------------------|---------------------|---------------------|--------------------|
| Image Sensor | 1/2.7" 5 Megapixel progressive CMOS | | | | |
| Effective Pixels | 2880 (H) × 1620 (V) | | | | |
| Scanning System | Progressive | | | | |
| Electronic Shutter Speed | PAL: 1/25~1/100,000s NTSC: 1/30~1/100,000s | | | | |
| Minimum Illumination | 0.005 Lux / F1.6, 30IRE, 0 Lux IR on | | | | |
| S/N Ratio | More than 65 dB | | | | |
| IR Distance | Up to 30 m (98.4 ft) | | | | |
| IR LEDs | 1 | | | | |
| Camera Features | | | | | |
| Day/Night | Auto switch by ICR | | | | |
| Backlight Compensation | BLC / HLC / DWDR | | | | |
| White Balance | Auto / Manual | | | | |
| Gain Control | Auto / Manual | | | | |
| Noise Reduction | 2D NR | | | | |
| Smart IR | Yes | | | | |
| Lens | | | | | |
| Lens Type | Fixed | | | | |
| Mount Type | M12 | | | | |
| Focal Length | 2.8 mm | | | | |
| Max. Aperture | F1.6 | | | | |
| Viewing Angle | D:132° H: 111° V: 58° | | | | |
| Pan/Tilt/Rotation | Pan: 0° ~ 355°; Tilt: 0° ~ 90°; Rotation: 0° ~ 360° | | | | |
| DORI Distance | Lens | Detect | Observe | Recognize | Identify |
| | 2.8mm | 63.6 m (208.7 ft) | 25.4 m (83.3 ft) | 12.7 m (41.7 ft) | 6.4 m (21.0 ft) |
| Video | | | | | |
| Frame Rate | PAL: 5M at 25 fps; 4M at 25 fps; 1080P at 25 fps NTSC: 5M at 25 fps; 4M at 30 fps; 1080P at 30 fps PAL: 4M at 25 fps; NTSC: 4M at 30 fps PAL: 4M at 25 fps; NTSC: 4M at 30 fps PAL: 960H; NTSC: 960H | | | | |
| Resolution | 5M (2880 × 1620); 4M (2560 × 1440); 1080P (1920 × 1080); 960H (960 × 576/960 × 480) | | | | |

*Design and specifications are subjects to change without notice.



INSBO5IRCF

5MP HD over Coax Fixed Bullet

Product Specifications

| | |
|---------------------|--|
| Port | |
| Video Output | Video output choices of CVI / TVI / AHD / CVBS by one BNC port |
| General | |
| Power Supply | 12V \pm 30% DC |
| Power Consumption | Less than 3.2W |
| Working Environment | -40°C to +60°C (-40°F to 140°F); Less than 95% (non-condensation) |
| Protection | IP67 |
| Dimensions | 174.5 mm \times 72.3 mm \times 70.6 mm (6.87" \times 2.85" \times 2.78") |
| Weight | 1.12 lbs (0.51 kg) |

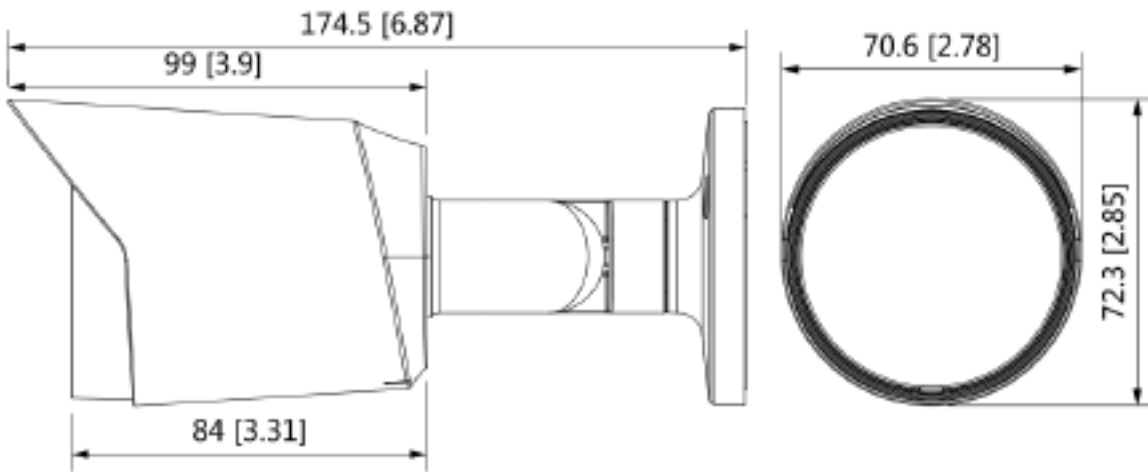
*Design and specifications are subjects to change without notice.



INSB05IRCF

5MP HD over Coax Fixed Bullet

Product Specifications



**INSX134
Junction Box**



**INSX130
Junction Box**



**INSX152
Pole Mount**

| Ceiling Mount | Junction Mount | Pole Mount (Vertical) |
|---------------|----------------|-----------------------|
| | | |

*Design and specifications are subjects to change without notice.

